

AIRPHO

## Features

- Supports wireless N speeds of up to 300Mbps, which is perfect for website browsing and online video streaming.
- Backward compatible with 802.11b/g product.
- 2 x 5dBi External antennas improve Omni-directional wireless coverage and reliability.
- Easy one-touch wireless security encryption with the WPS button.
- Advanced features such as QoS, Parental Controls and Guest Network optimize network environment while ensuring network safety.
- Easy Setup Assistant provides quick & hassle free installation.



# AR-W220

300Mbps Wireless N Router



## Description

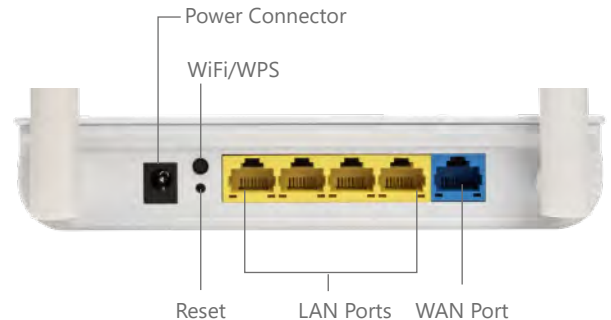
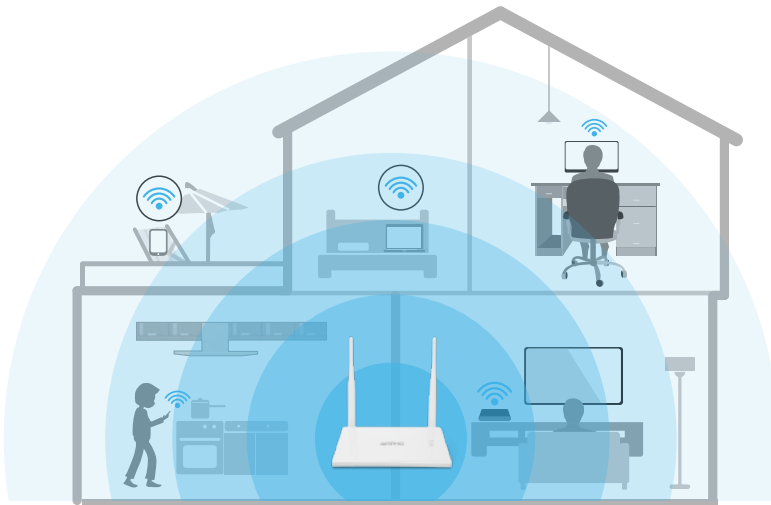
AR-W220 300Mbps Wireless N Router is an all-in-one router, ideal for home and SOHO users to share broadband Internet connection over the wired and wireless network. With wireless speeds of up to 300Mbps, it can provide users with extraordinary smooth internet surfing,

internet phone calling, and on-line gaming. Moreover, by adopting an external Omni-directional antenna, AR-W220 could greatly increase the wireless range & sensitivity, which enables you to receive wireless signals at the farthest corner of your home or office.

# AIRPHO AR-W220 300Mbps Wireless N Router

Users may conveniently setup a secure wireless connection with one-touch WPS button on the fashionable designed router. The router also supports with various advanced features like QoS, Parental Controls, Guest Network and

IPv6, these features help you optimize your network environment while ensuring your network safety, allowing you to enjoy safe, smooth and stable experience on all your devices.



## Specifications

| General                |   |
|------------------------|---|
| Wireless Standards     | IEEE802.11b/g/n,2.4GHz  |
| Signal Rate            | 2.4GHz:Up to 300Mbps  |
| Operation Frequency    | 2.4GHz  |
| Receive Sensitivity    | 2.4GHz<br>11g 54M: -77dBm<br>11n HT20: -74dBm, 11n HT40: -72dBm |
| Wireless Security      | WPA / WPA2, WPA-PSK/ WPA2-PSK encryption                        |
| Hardware               |   |
| Flash/DDR              | 8MB/64MB  |
| Interfaces             | 1 x 10/100Mbps WAN Port<br>4 x 10/100Mbps LAN Port              |
| Buttons                | Power ON/OFF Button, WPS/WiFi Button, Reset Button              |
| Power Supply           | DC 12V 0.5A   |
| Antenna                | 2 x 5dBi external antennas                                      |
| Dimensions (W X D X H) | 165mm x 120 mm x 35mm   |

| Software Features     |   |
|-----------------------|---|
| WAN Type              | Dynamic IP/Static IP/PPPoE  |
| DHCP                  | Server, Client, DHCP Client List, Address Reservation   |
| Quality of Service    | Download / Upload Speed control   |
| Port Forwarding       | Virtual Server, Port Triggering, DMZ  |
| VPN Pass-Through      | PPTP, L2TP  |
| Access Control        | Parental Control, Local Management Control, Host List, Access Schedule, Rule Management               |
| Firewall Security     | DoS, SPI Firewall<br>IP Address Filter/MAC Address Filter/Domain Filter<br>IP and MAC Address Binding |
| Management            | Access Control, Local Management, Remote Management   |
| Internet Protocol     | IPv4, IPv6  |
| Environment           |   |
| Operating Temperature | 0°C~40°C (32°F~104°F)   |
| Storage Temperature   | -40°C~70°C (-40°F~158°F)  |
| Relative Humidity     | 10%~90%, non-condensing   |
| Storage Humidity      | 5%~95%, non-condensing  |
| Package Contents      |   |
| Package Contents      | 1 x Wireless Router      1 x Power Adapter<br>1 x Ethernet Cable      1 x QIG                         |